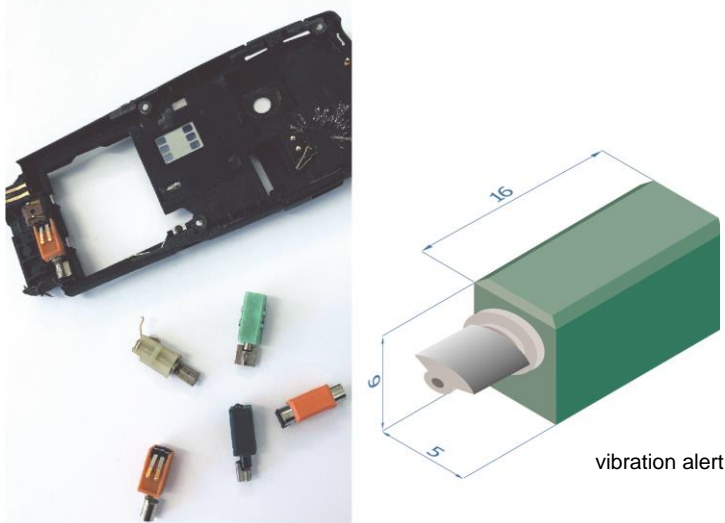


10 – TAU MACHINE VISION SYSTEM

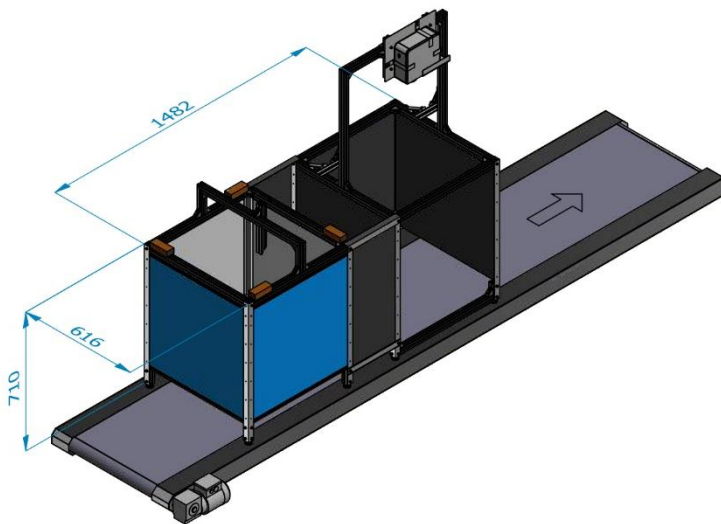


WHAT ARE WE LOOKING FOR?



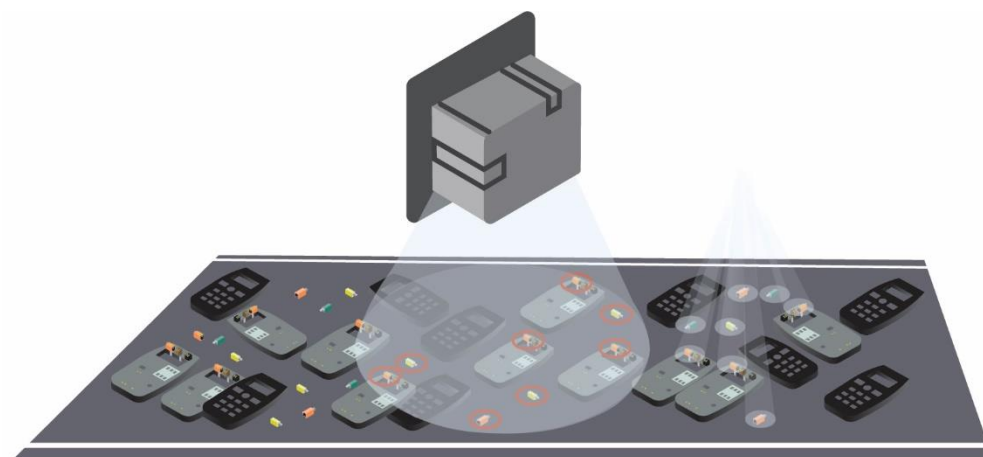
- Tau's Machine Vision technology looks for vibration alerts, loudspeakers and microphones – all are small components inside pre-disassembled mobile phones.
- these components contain tungsten (W) and neodymium (Nd)

MACHINE VISION PROTOTYPE



- vision-based identification of valuable components using artificial intelligence
- the machine vision system operates in two phases: a) recognition and b) indication of recognized component
- recognition: output of pulsed power fragmentation is loaded onto the conveyor belt and moved under a camera; software recognizes valuable components
- indication: recognized pieces are highlighted via a beamer for manual picking

OPERATIONAL SCHEME OF THE SYSTEM



LOADING → ACQUISITION → SORTING